

PARTS LIST

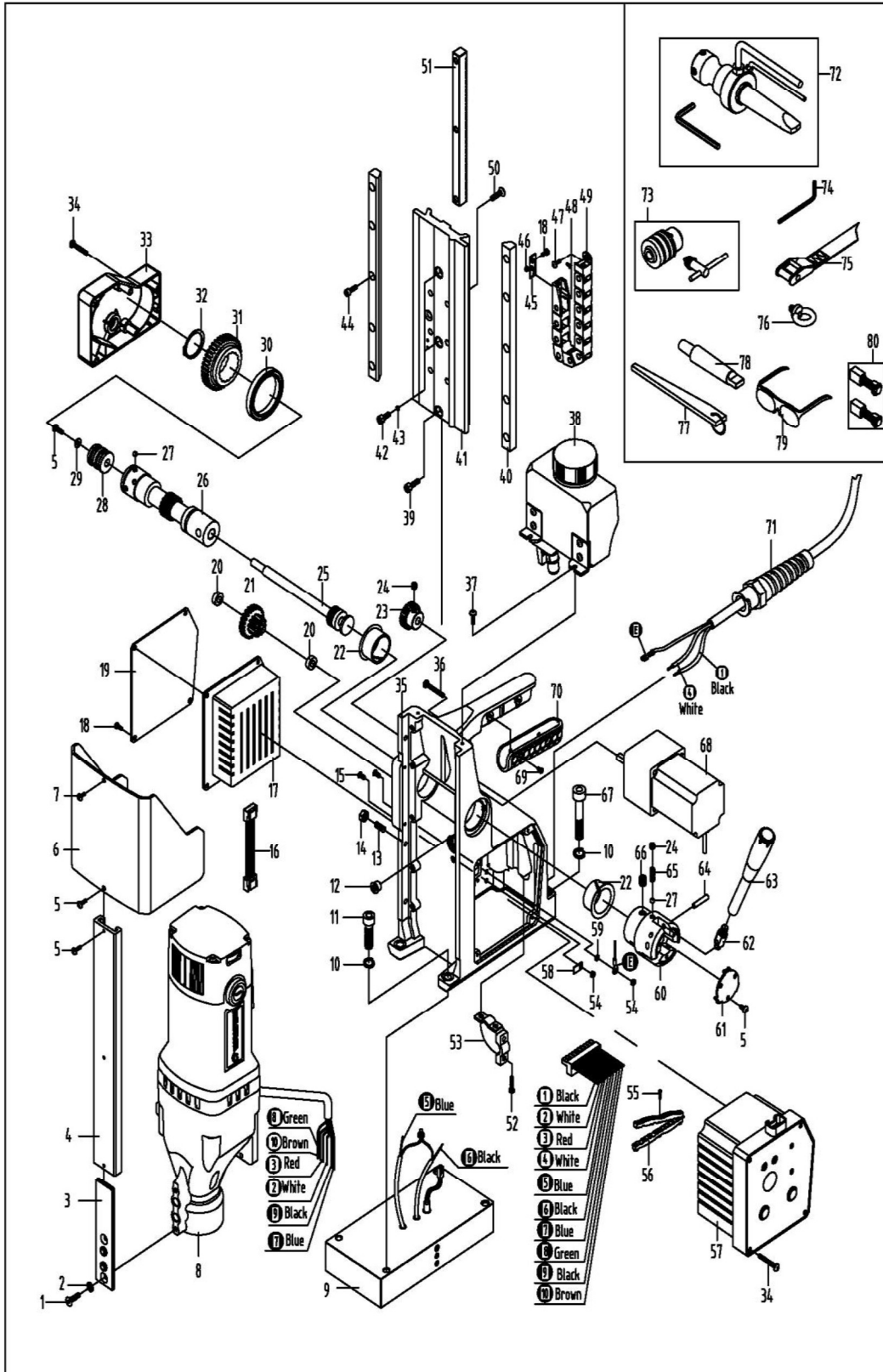
ICECUT 250Auto

39-D 252

Spare Parts List
Pièces de Rechanges
Lista de Refacciones



ICECUT250 AUTO MAGNETIC DRILLS EXPLODED DRAWING

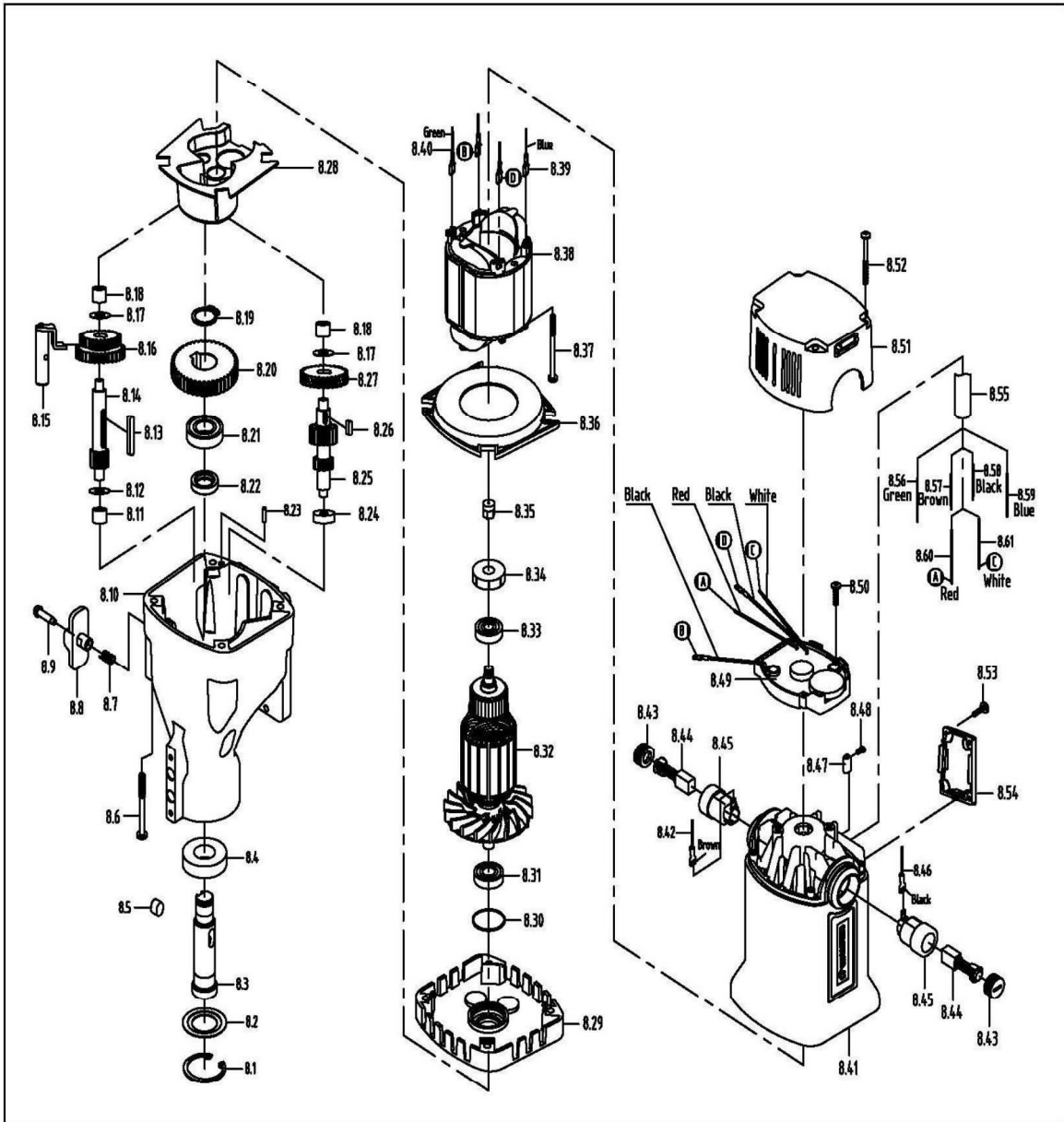


| ICECUT 250 AUTO BOM | | | | |
|----------------------------|-------------------------|------------------------------------|----------------|-------------------|
| Item# | Description – EN | Description FR | Qty/pcs | Walter P/N |
| 1 | Screw (Anti-loose) | Vis | 2 | 48S193 |
| 2 | M5 CSK Washer | Rondelle | 2 | 48K600 |
| 3 | Guard Support | Support de garde | 1 | 48H575 |
| 4 | Slide Channel | Glissoir | 1 | 48H637 |
| 5 | Screw M4x14 BTTN HD | Vis M4X14 | 6 | 48S206 |
| 6 | ICECUT Guard | Protège-meule | 1 | 48H354 |
| 7 | Screw M4x8 BTTN HD | Vis M4x8 | 1 | 48S190 |
| 8 | Motor Assembly | Assemblage du moteur | 1 | |
| 9 | Magnet | Aimant 120V | 1 | 48H639 |
| 10 | Spring Washer | Rondelle a resort | 4 | 48K602 |
| 11 | Screw | Vis | 2 | 48S781 |
| 12 | Cable Bush | Cable bush | 1 | 48H307 |
| 13 | GRUB SCREW M6X15 | Vis M6x15 | 3 | 48S199 |
| 14 | M6 NUT | Écrou M6 | 3 | 48K629 |
| 15 | SCREW M4X16 CSK HD | Vis M4x16 | 2 | 48S200 |
| 16 | Arraying cable | Câble rayonnant | 1 | 48H709 |
| 17 | Power supply module set | ensemble de modules d'alimentation | 1 | 48H710 |
| 18 | Screw M4x8 BTTN HD | Vis M4x8 | 6 | 48S208 |
| 19 | Side Plate | Plaque Coté | 1 | 48H711 |
| 20 | Rolling Bearing 687 | Roulement 687 | 2 | 48Q278 |
| 21 | Gear Units | Engrenages | 1 | 48H712 |
| 22 | Bushing | Douille | 2 | 48H435 |
| 23 | Motor gear | Engrenage du moteur | 1 | 48H713 |
| 24 | Screw (Anti-loose) | Vis | 4 | 48S515 |
| 25 | Clutch shaft | Arbre d'embrayage | 1 | 48H714 |
| 26 | Capstan Spindle | Arbre de cabestan | 1 | 48H715 |
| 27 | Steel ball | Bille | 11 | 48H730 |
| 28 | Clutch shaft sleeve | Manchon de l'arbre d'embrayage | 1 | 48H716 |
| 29 | Flat washer | Rondelle | 1 | 48K662 |
| 30 | Rolling Bearing 6809 | Roulement 6809 | 1 | 48Q279 |
| 31 | Clutch gear | Engrenage d'embrayage | 1 | 48H717 |
| 32 | Circlip | Rondelle d'arrêt | 1 | 48K663 |
| 33 | End cap | Bouchon | 1 | 48H718 |

| | | | | |
|----|--------------------------|-------------------------------------|----|--------|
| 34 | Screw M4x32 BTTN HD | Vis M4x32 | 10 | 48S516 |
| 35 | Housing | Boitier | 1 | 48H719 |
| 36 | Screw M4x22 BTTN HD | Vis M4x22 | 4 | 48S517 |
| 37 | Screw M4x12 BTTN HD | Vis M4x12 | 2 | 48S250 |
| 38 | Coolant Bottle Assembly | Assemblé de bouteille lubrifiant | 1 | 48H584 |
| 39 | Screw | Vis | 1 | 48S518 |
| 40 | Guide Bar | Barre de guide | 2 | 48H580 |
| 41 | Slide | Glissoir | 1 | 48H581 |
| 42 | SCREW M6X16 CAP | Vis M6x16 | 2 | 48S211 |
| 43 | Spring Washer | Rondelle a resort | 2 | 48K628 |
| 44 | SCREW M5X16 CAP HD | Vis M5x16 | 10 | 48S198 |
| 45 | Chain | Chaine | 1 | 48H431 |
| 46 | M3 NUT | Écrou M3 | 2 | 48K608 |
| 47 | Screw M5x12 BTTN HD | Vis M5x12 | 1 | 48S194 |
| 48 | SCREW M3X8 | Vis M3x8 | 2 | 48S213 |
| 49 | Chain | Chaine | 1 | 48H720 |
| 50 | Screw (Anti-loose) | Vis | 6 | 48S784 |
| 51 | Rack | Chevalet | 1 | 48H721 |
| 52 | Screw | Vis | 2 | 48H705 |
| 53 | Cable Clamp | Bride de cable | 1 | 48H322 |
| 54 | M4 Nut | Écrou M4 | 2 | 48K610 |
| 55 | Tapping screw | Vis à tôle | 3 | 48S251 |
| 56 | Clamp | Crampon | 1 | 48H457 |
| 57 | Control Panel Assembly | Panneau de contrôle | 1 | 48H722 |
| 58 | Earth Label | Étiquette | 1 | 48H319 |
| 59 | Washer | Rondelle | 1 | 48K609 |
| 60 | Capstan base | Base de cabestan | 1 | 48H723 |
| 61 | Cover plate | Plaque de couverture | 1 | 48H724 |
| 62 | Capstan arbor | Arbre de cabestan | 3 | 48H725 |
| 63 | Capstan Arm | Bras de cabestan | 3 | 48H726 |
| 64 | Taper pin | Goupille conique | 3 | 48H727 |
| 65 | Spring | Ressort | 3 | 48H728 |
| 66 | GRUB SCREW M8X8 | Vis M8x8 | 3 | 48S217 |
| 67 | Screw | Vis | 2 | 48S786 |
| 68 | Stepper motor | Moteur pas-à-pas | 1 | 48H729 |
| 69 | SCREW M4X8 CSK HD | Vis M4x8 | 4 | 48S247 |
| 70 | Handle Insert | Insert Poignée | 1 | 48H451 |
| 71 | Cable Plug Assembly 120V | Cable 120V | 1 | 48Z201 |

| | | | | |
|----|-----------------------|---------------------|-------|--------|
| 72 | Arbor Assembly | Arbre Assy. | 1 | 48H590 |
| 73 | 13mm Chuck | Chuck 13mm | 1 | 39D008 |
| 74 | 3mm Hexagonal Spanner | Clé hexagonal 3.0MM | 1 | 48Z003 |
| 75 | Safety Belt | Sangle de sécurité | 1 | 48H461 |
| 76 | Stationary Ring | Anneau | 2 | 48H462 |
| 77 | Drift | Drift | 1 | 48H460 |
| 78 | Arbor Shank | Manche de l'arbre | 1 | 48H591 |
| 79 | Safety goggles | Lunette de sécurité | 1 | 48H424 |
| 80 | Spare Brush | Brosse carbone | 1pair | 48H593 |

ICECUT250 AUTO MAGNETIC DRILLS MOTOR EXPLODED DRAWING

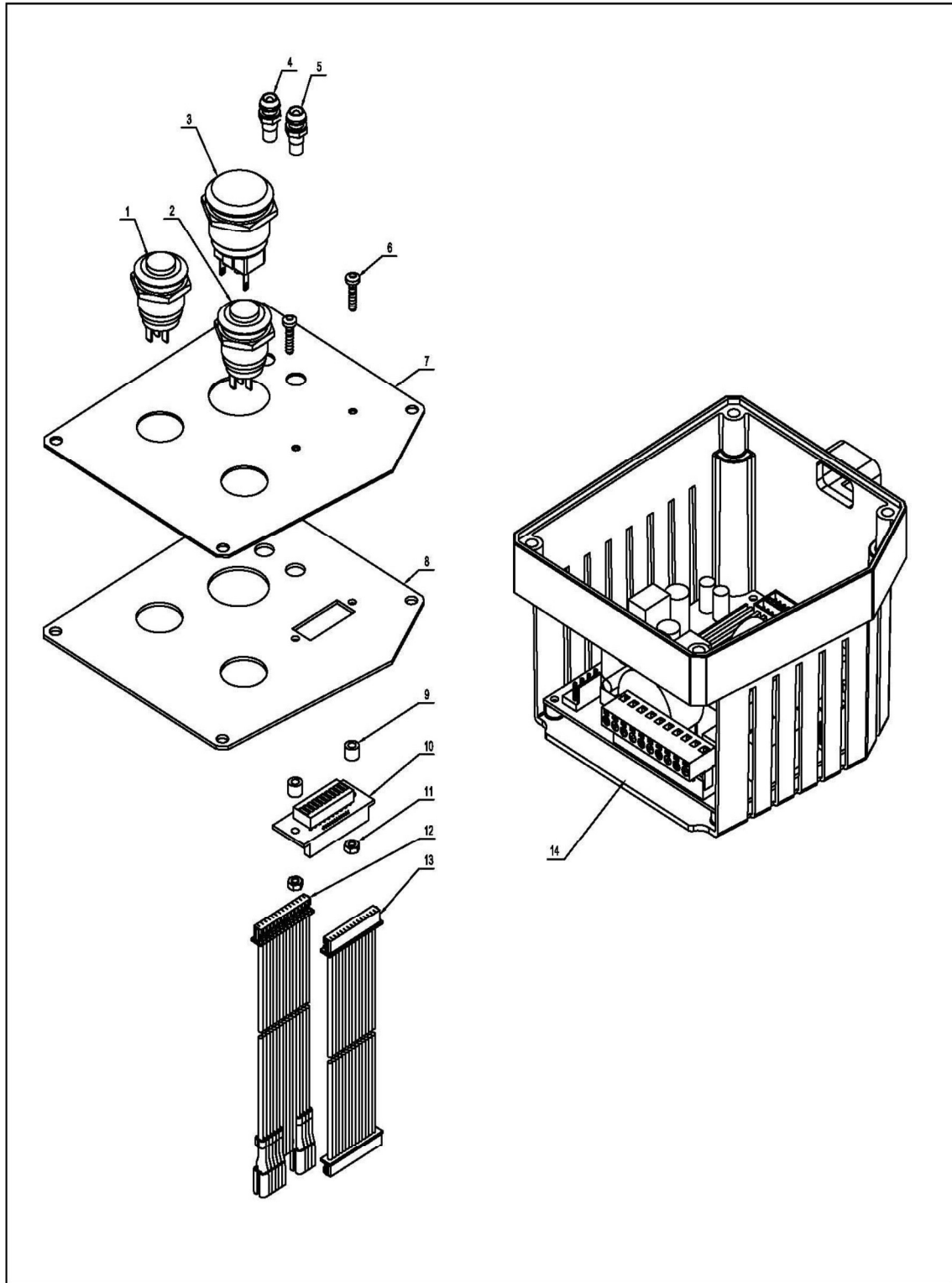


| Item# | Description – EN | Description - FR | Qty | Walter # |
|-------|------------------|-------------------------|-----|----------|
| 8.1 | Circlip | Rondelle d'arrêt | 1 | 48K648 |
| 8.2 | Oil Seal Washer | Rondelle scelle d'huile | 1 | 48K649 |
| 8.3 | Arbor Spindle | Broche d'arbre | 1 | 48H596 |
| 8.4 | Roller Bearing | Roulement à rouleaux | 1 | 48Q276 |
| 8.5 | Flat Key | Clé plate | 1 | 48H597 |

| | | | | |
|------|-----------------------------|-------------------------|---|--------|
| 8.6 | Tapping Screw | Vis taraud | 4 | 48S794 |
| 8.7 | Spring | Resort | 1 | 48H370 |
| 8.8 | Gear Lever | Levier | 1 | 48H371 |
| 8.9 | Gear lever M4 shoulder bolt | Boulon M4 | 1 | 48H372 |
| 8.10 | Gear Box | Boite de vitesse | 1 | 48H598 |
| 8.11 | Needle Bearing | Roulement à aiguilles | 1 | 48H599 |
| 8.12 | Gear Shaft Washer 10mm ID | Rondelle 10mm | 1 | 48K611 |
| 8.13 | Key Steel | Clé acier | 1 | 48H380 |
| 8.14 | Gear Axle | Axe d'engrenage | 1 | 48H379 |
| 8.15 | Gear Lever Shaft | Arbre de levier | 1 | 48H382 |
| 8.16 | Dual Gear | Double engrenage | 1 | 48H378 |
| 8.17 | Washer | Rondelle | 2 | 48K617 |
| 8.18 | Needle Bearing | Roulement à aiguilles | 2 | 48H600 |
| 8.19 | Circlip | Rondelle d'arrêt | 1 | 48K650 |
| 8.20 | Big Gear | Grand engrenage | 1 | 48H601 |
| 8.21 | Roller Bearing | Roulement à rouleaux | 1 | 48Q277 |
| 8.22 | Oil Seal | Scelle d'huile | 1 | 48H602 |
| 8.23 | Straight Pin | Goupille | 1 | 48H338 |
| 8.24 | Rolling Bearing 608 | Roulement a billes 608 | 1 | 48Q264 |
| 8.25 | Shaft Gear | Engrenage de arbre | 1 | 48H603 |
| 8.26 | Flat Key | Clé plat | 1 | 48H604 |
| 8.27 | Gear | Engrenage | 1 | 48H605 |
| 8.28 | Oil Baffle Plate | Plaque baffle | 1 | 48H606 |
| 8.29 | Inner Gear Plate | Plaque baffle | 1 | 48H607 |
| 8.30 | Seal Washer | Rondelle scelle | 1 | 48K220 |
| 8.31 | Rolling Bearing 6001 | Roulement a billes 6001 | 1 | 48Q266 |
| 8.32 | Armature | Armature | 1 | 48H609 |
| 8.33 | Rolling Bearing 629 | Roulement a billes 629 | 1 | 48Q267 |
| 8.34 | Bearing Sleeve | Manche de roulement | 1 | 48H387 |
| 8.35 | Inductor | Inducteur | 1 | 48H489 |
| 8.36 | Baffle Plate | Plaque baffle | 1 | 48H610 |
| 8.37 | Tapping Screw | Vis taraud | 2 | 48S795 |
| 8.38 | Field Coil | Inducteur | 1 | 48H612 |
| 8.39 | Lead Wire | Fil conducteur | 1 | 48H613 |
| 8.40 | Lead Wire | Fil conducteur | 1 | 48H614 |
| 8.41 | Motor Casing | Boitier | 1 | 48H615 |
| 8.42 | Lead Wire | Fil conducteur | 1 | 48H616 |
| 8.43 | Brush Cap | Capushon de brosse | 2 | 48H393 |

| | | | | |
|------|-------------------------|------------------------|----|--------|
| 8.44 | Carbon Brush | Brosse carbone | 2 | 48H618 |
| 8.45 | Brush Holder | Support de brosses | 2 | 48H395 |
| 8.46 | Lead Wire | Fil conducteur | 1 | 48H619 |
| 8.47 | Terminal | Bornier | 6 | 48H350 |
| 8.48 | Screw M3×6 BTTN HD | Vis M3×6 | 12 | 48S220 |
| 8.49 | Speed Controller Module | Régulateur de vitesse | 1 | 48H621 |
| 8.50 | Tapping Screw | Vis Taraud | 2 | 48S222 |
| 8.51 | Top Cap | Capuchon | 1 | 48H622 |
| 8.52 | Tapping Screw | Vis Taraud | 4 | 48S796 |
| 8.53 | Tapping Screw ST2.9×8 | Vis Taraud | 4 | 48S221 |
| 8.54 | Outlet Clamp | Couvercle | 1 | 48H520 |
| 8.55 | Plastic Tube | Tube plastique | 1 | 48H623 |
| 8.56 | Lead Wire(Green) | Fil conducteur (vert) | 1 | 48H503 |
| 8.57 | Lead Wire(Brown) | Fil conducteur (brun) | 1 | 48H504 |
| 8.58 | Lead Wire(Black) | Fil conducteur (noir) | 1 | 48H569 |
| 8.59 | Lead Wire(Blue) | Fil conducteur (bleu) | 1 | 48H516 |
| 8.60 | Lead Wire(Red) | Fil conducteur (rouge) | 1 | 48H517 |
| 8.61 | Lead Wire(White) | Fil conducteur (blanc) | 1 | 48H518 |

CONTROL PANEL ASSEMBLY EXPLODED DRAWING



| ICECUT 250 AUTO Control Panel Assembly BOM | | | | |
|---|-------------------------|-------------------------------|----------------|-------------------|
| Item# | Description – EN | Description - FR | Qty/pcs | Walter P/N |
| 1 | Green Motor Switch | Interr. du moteur vert | 1 | 48H397 |
| 2 | Blue Motor Switch | Interr. du moteur bleu | 1 | 48H505 |
| 3 | Magnet Switch | Interr. Aimant | 1 | 48H506 |
| 4 | Red LED | LED rouge | 1 | 48H507 |
| 5 | Green LED | LED vert | 1 | 48H508 |
| 6 | Screw M3×12 BTTN HD | Vis M3x12 | 2 | 48S227 |
| 7 | Control Panel Cover | Couv. de panneau de contrôle | 1 | 48H731 |
| 8 | Control Plate | Plaque de panneau de contrôle | 1 | 48H732 |
| 9 | Nylon Spacer | Rondele nylon | 2 | 48H404 |
| 10 | Array Board | Tableau d'affichage | 1 | 48H570 |
| 11 | M3 Nut | Écrou M3 | 2 | 48K608 |
| 12 | Connection line | Ligne de connection | 1 | 48H512 |
| 13 | Connection line | Ligne de connection | 1 | 48H513 |
| 14 | PCBA | PCBA | 1 | 48H733 |